

696C INSTRUCTIONS

PREPARE BASE

For best results, the ground socket should be installed in a permanent concrete bed. Excavate a hole 9" deep and 6" in diameter. Press ground socket firmly in center of excavation. Where ground is primarily clay, it is advisable to dig hole 6" deeper and fill with gravel to provide drainage.

Install bottom section of pole into ground socket. Plum and tie to stakes set at three points around ground excavation. When secure, fill hole with concrete to a depth of 4" and let set about 24 hours. Fill with dirt to ground level and replace sod to complete.

Note: Stakes are only to hold pole straight until concrete is set. Stakes not included.

TO ASSEMBLE POLE

(The top of the bottom and middle pole have a notched edge where the keylock is inserted. Make sure this end is up when assembling the pole.)

Remove bottom section of pole from ground socket. Lay all three sections on ground, insert middle pole into the bottom pole. Lock in place with Easy Key Lock, by inserting lock into notch and turning. Insert top pole into middle section in same manner. Set pole into ground socket.

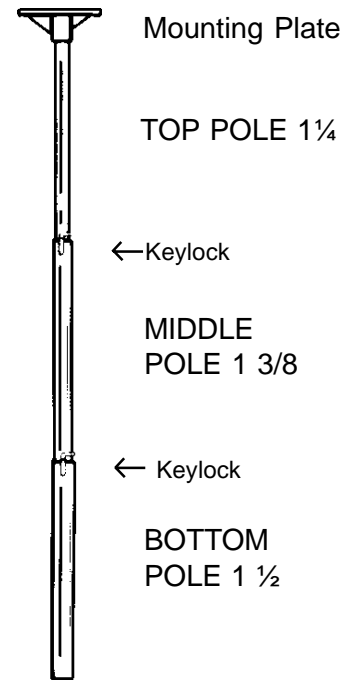
To raise pole to desired height, unlock Easy Key, raise pole and relock.

SB-3 BAFFLE ASSEMBLY

Start self-tapping screws into plastic collar. Place collar onto pole at desired height and tighten screws. Place baffle over top of collar. Baffle will sit independently to allow tipping when squirrels try to climb.

FEEDER ASSEMBLY

Center mounting flange under feeder. Attach to feeder with four wood screws. Slide flange over pole. Secure flange to pole by tightening self-tapping screw.



696C INSTRUCTIONS

PREPARE BASE

For best results, the ground socket should be installed in a permanent concrete bed. Excavate a hole 9" deep and 6" in diameter. Press ground socket firmly in center of excavation. Where ground is primarily clay, it is advisable to dig hole 6" deeper and fill with gravel to provide drainage.

Install bottom section of pole into ground socket. Plum and tie to stakes set at three points around ground excavation. When secure, fill hole with concrete to a depth of 4" and let set about 24 hours. Fill with dirt to ground level and replace sod to complete.

Note: Stakes are only to hold pole straight until concrete is set. Stakes not included.

TO ASSEMBLE POLE

(The top of the bottom and middle pole have a notched edge where the keylock is inserted. Make sure this end is up when assembling the pole.)

Remove bottom section of pole from ground socket. Lay all three sections on ground, insert middle pole into the bottom pole. Lock in place with Easy Key Lock, by inserting lock into notch and turning. Insert top pole into middle section in same manner. Set pole into ground socket.

To raise pole to desired height, unlock Easy Key, raise pole and relock.

SB-3 BAFFLE ASSEMBLY

Start self-tapping screws into plastic collar. Place collar onto pole at desired height and tighten screws. Place baffle over top of collar. Baffle will sit independently to allow tipping when squirrels try to climb.

FEEDER ASSEMBLY

Center mounting flange under feeder. Attach to feeder with four wood screws. Slide flange over pole. Secure flange to pole by tightening self-tapping screw.

